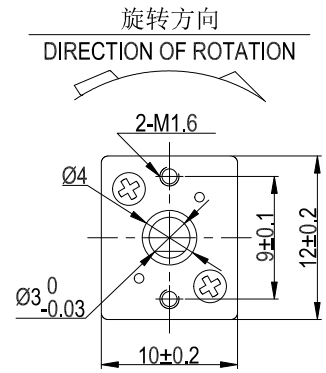
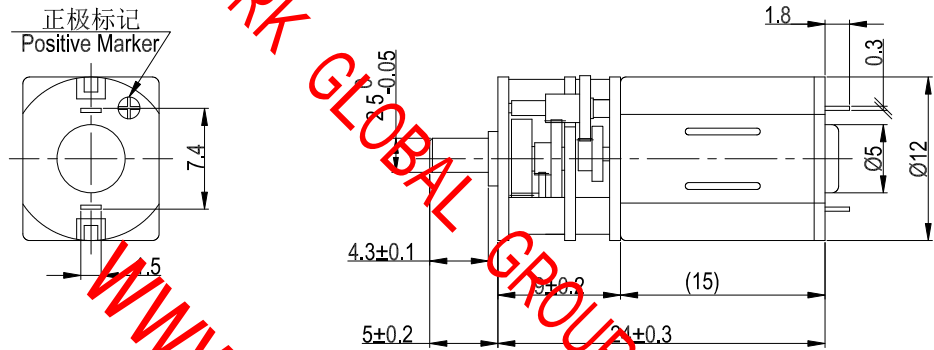


TEAMWORK GLOBAL GROUP LTD

电机型号(Model): TW-12FN20-168-05120      样品单号(Sample Code): XG-190827087      日期(Date): 2019-09-03

额定电压 V Rated Voltage	5
使用环境温度范围 °C Operating Condition Temperature Range	-10~+60
空载转速 rpm Noload speed	120±10%
空载电流 mA Free-load Current	≤72
负载转矩 Kgf·cm Rated Torque	0.05
负载转速 rpm Onload speed	116±10%
负载电流 mA Roted Current	≤98
堵转电流 A Stall Current	1.25(Ref)
堵转力矩 Kgf·cm Stall Torque	≥1.8
旋向 CW/CCW Direction	CW
噪音 dBA Noise (L=300mm)	55 (Max)
轴向间隙 mm Axial gap	0.02~0.3



TEAMWORK GLOBAL GROUP LIMITED  
www.tw-motor.com

TEAMWORK GLOBAL GROUP LTD		外形图 outside drawing				客户确认 Confirmation Approved	
制订: Formulate	国晓龙	Unit	mm	Size	A4		
审核: Audit		version	A0	Scale	2:1		
批准: Approved		Phase marker		S			
		Page					